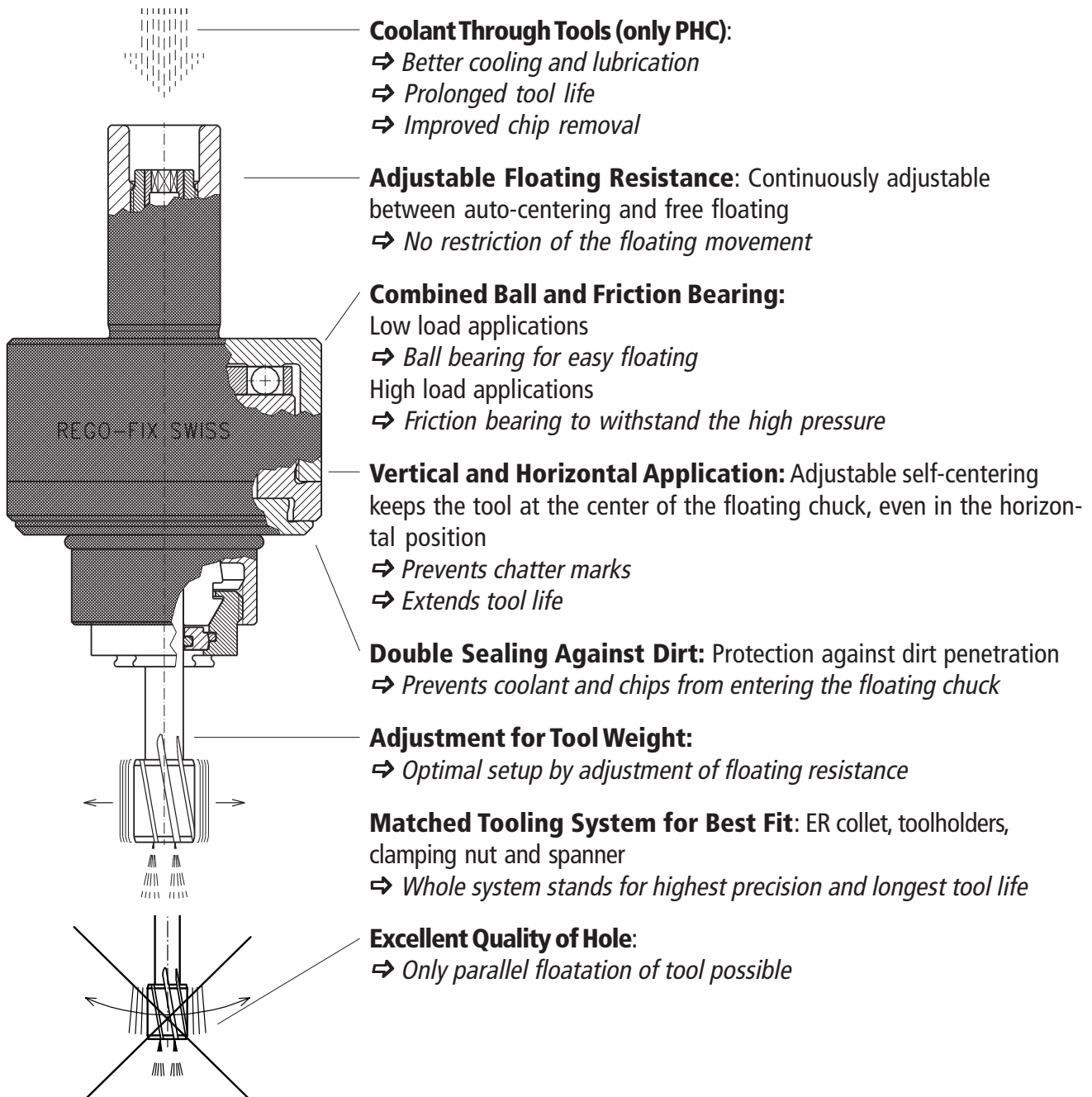


PH/ER, PHC/ER MPH/ER

■ FEATURES AND BENEFITS



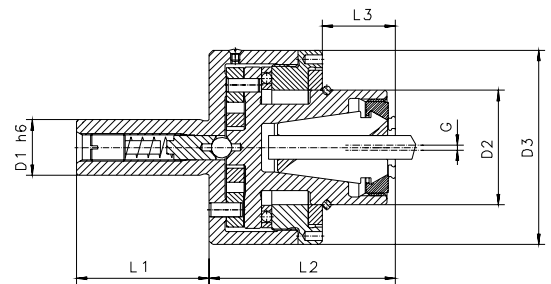
11



PH/ER

FLOATING CHUCKS

Type	Part No.	D1 h6 [mm]	D2 [mm]	D3 [mm]	G float [mm]	L1 [mm]	L2 [mm]	L3 [mm]
PH 5/8"/ER 11	2616.91102	15.88	22	38	0.8	34	36	14
PH 16/ER 11	2616.91100	16	22	38	0.8	34	36	14
PH 3/4"/ER 11	2619.91102	19.05	22	38	0.8	34	36	14
PH 20/ER 11	2620.91100	20	22	38	0.8	34	36	14
PH 22/ER 11	2622.91100	22	22	38	0.8	34	36	14



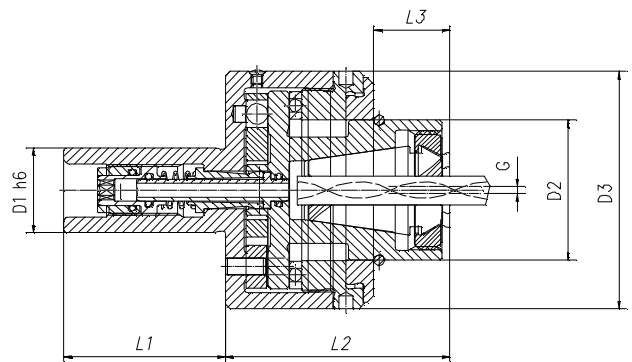
Supplied with: Floating holder, clamping nut and spanner



PHC/ER

■ *FLOATING CHUCKS FOR COOLANT THROUGH TOOLS*

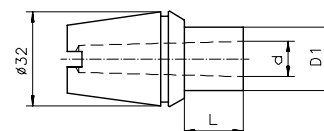
Type	Part No.	D1 h6 [mm]	D2 [mm]	D3 [mm]	G float	L1 [mm]	L2 [mm]	L3 [mm]
PHC 5/8"/ER 20	2616.92004	15.88	33	56	1.0	38	53.5	18.5
PHC 16/ER 20	2616.92003	16	33	56	1.0	38	53.5	18.5
PHC 3/4"/ER 20	2619.92004	19.05	33	56	1.0	38	53.5	18.5
PHC 20/ER 20	2620.92003	20	33	56	1.0	38	53.5	18.5
PHC 22/ER 20	2622.92003	22	33	56	1.0	38	53.5	18.5
PHC 25/ER 20	2625.92003	25	33	56	1.0	38	53.5	18.5
PHC 1"/ER 20	2625.92004	25.40	33	56	1.0	38	53.5	18.5
PHC 3/4"/ER 32	2619.93204	19.05	46	70	1.5	46	64.5	20.5
PHC 20/ER 32	2620.93203	20	46	70	1.5	46	64.5	20.5
PHC 22/ER 32	2622.93203	22	46	70	1.5	46	64.5	20.5
PHC 25/ER 32	2625.93203	25	46	70	1.5	46	64.5	20.5
PHC 1"/ER 32	2625.93204	25.40	46	70	1.5	46	64.5	20.5
PHC 32/ER 32	2632.93203	32	46	70	1.5	46	64.5	20.5
PHC 1-1/4"/ER 32	2632.93204	31.75	46	70	1.5	46	64.5	20.5
PHC 1-3/4"/ER 32	2644.93204	44.45	46	70	1.5	46	64.5	20.5



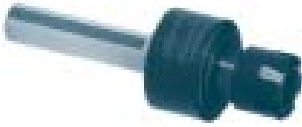
Supplied with: Floating holder, clamping nut, spanner and adjusting key

■ *MATCHING REDUCTIONS ER 32 TO MORSE TAPER*

Type	Morse	Part No.	d	L [mm]	D1 [mm]
ER 32/MK 1	Morse 1	7141.32001	MK 1	20	21.5
ER 32/MK 2	Morse 2	7141.32002	MK 2	33	21.5

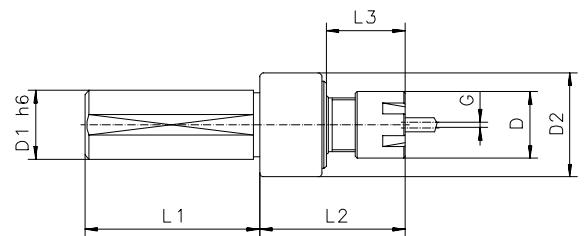


MPH/ER



■ *MINI-FLOATING CHUCKS*

Type	Part No.	D [mm]	D1 h6 [mm]	D2 [mm]	G float	L1 [mm]	L2 [mm]	L3 [mm]
MPH 8/ER 11 M	2608.91107	16	8.00	25	0.5	42	35	19
MPH 10/ER 11 M	2610.91107	16	10.00	25	0.5	42	35	19
MPH 3/4"/ER 11 M	2619.91108	16	19.05	25	0.5	70	35	19
MPH 20/ER 11 M	2620.91107	16	20.00	25	0.5	42	35	19
MPH 22/ER 11 M	2622.91107	16	22.00	25	0.5	42	35	19
MPH 25/ER 11 M	2625.91107	16	25.00	25	0.5	42	35	19
MPH 1"/ER 11 M	2625.91108	16	25.40	25	0.5	42	35	19



Supplied with: Floating chuck, clamping nut and spanner